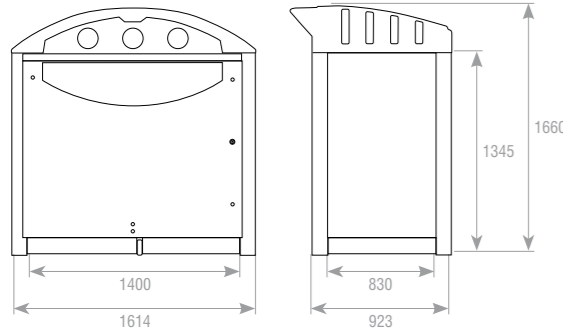
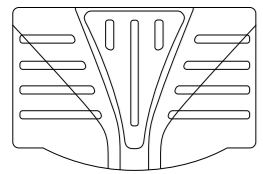


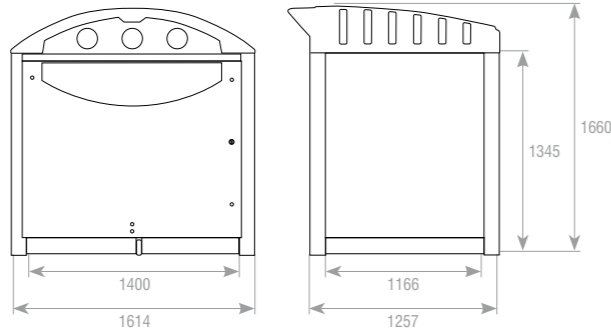
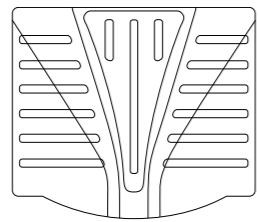
Specifications

(Dimensions in mm)

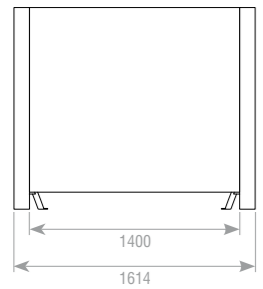
Modus 770



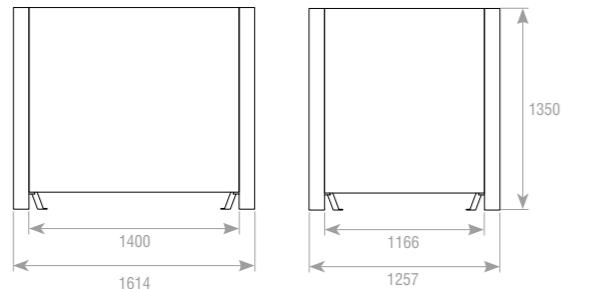
Modus 1280



Visage 770

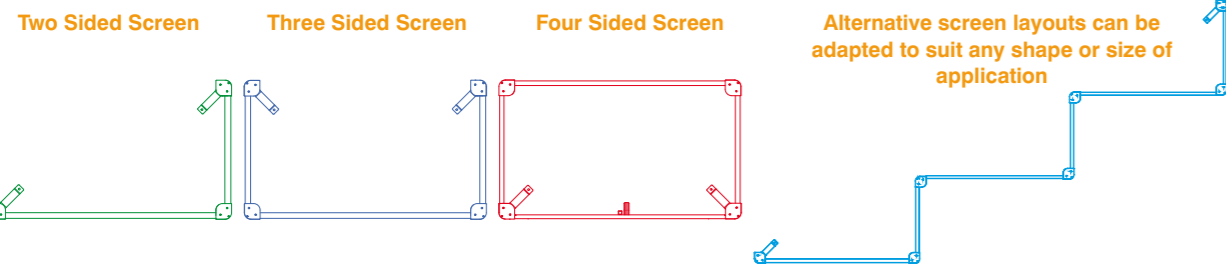


Visage 1280

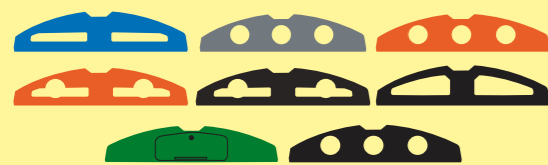


Visage 770 & 1280 Screen Configurations

The modular construction of both Visage 770 & 1280 allows units to be built up to form two sided (right handed shown), three sided and four sided (complete with door) screen configurations.



Modus Apertures



Modus & Visage Recycle Now Graphic Options



Materials

Modus & Visage Frame: Vandalex**
Modus Hood: Durapol***
Ecoboard™ Panelling: 100% Recycled Polyethylene

Colours

Modus & Visage Frame: Silver
Modus Hood: Anthracite Grey
Ecoboard™ Panelling: Light Grey Millstone, Dark Grey Millstone.

Modus & Visage Spigot Leg, Door Waste Guide: Anthracite Grey.
Visage Support Leg, End Cap: Anthracite Grey.
Skirting: Black.
Handle: Grey.

Personalisation

Modus and Visage can be personalised with artwork to promote your recycling message, or disguised to complement your environment.



Siting of Modus & Visage

We recommend that a risk assessment is undertaken to identify an appropriate location for your waste collection and recycling units. In order to reduce risk, some organisations decide to place the units a minimum of 5 metres away from buildings. Any potential risk can be further reduced by maintaining a regime of regularly emptying the unit. You may also wish to consider installing a Glasdon FireSafe on Modus.

GLASDON FIRESAFE™
is an automatic fire suppression device fitted within the hood of the bin. Should a fire break out inside the bin the device is activated. Glasdon FireSafe is an effective low cost auxiliary device and must never replace primary fire prevention measures. A regular inspection/maintenance programme should be introduced to ensure the device is in working condition or has discharged and therefore needs replacing.

Visit: www.bins4recycling.com today!

Our Recycling Bins website details our extensive range of recycling bins, which provide ideal solutions for any internal or external recycling scheme. The site also contains a vast library of customer case studies and examples of recycling bin personalisation, to assist in your product selection.



HOW TO ORDER

To order direct from this brochure, please telephone 01253 600410, fax 01253 792558 or post to us at our address shown.

FREE DELIVERY IN MAINLAND UK & NORTHERN IRELAND

Our national distribution network ensures prompt delivery in mainland UK and Northern Ireland. All our prices are carriage-free on the mainland and Northern Ireland for orders over £50 value, only VAT will be added.

However, to help offset the cost of packing, administration and delivery, there is a small charge of £5 on orders below the value of £50.

Glasdon Group Limited Is An Equal Opportunities Employer.

Glasdon™, Durapol, Ecoboard, FireSafe, Modus, Vandalex and Visage are trademarks or registered trademarks of GLASDON GROUP or its subsidiaries in the UK and other countries.

Glasdon Group Limited Is An Equal Opportunities Employer.

© Glasdon UK Ltd. 03/2012 Glasdon reserve the right to alter price and specification without prior notice. RSJ/H

NEW



External Recycling Housings and Screens



Modus™ Housing



Visage™ Screen



www.bins4recycling.com



TURN

*Vandalex™ material is an aluminium alloy engineered to produce a high modulus of elasticity, which offers increased impact absorption properties. Its hard anodised finish will not rust, is easy to clean and never needs painting.

**Durapol™ material is a polymer formulated to withstand extremes of temperature and is impact-tested in our Quality Assurance Laboratory as part of our BS EN ISO 9001:2008 test procedure. Durapol material will not chip or rust, is easy to clean and never needs painting.

ISO 9001
ISO 14001



RECYCLE

When you have finished with this leaflet please recycle it

GR743/00

NEW Modus™ Housings

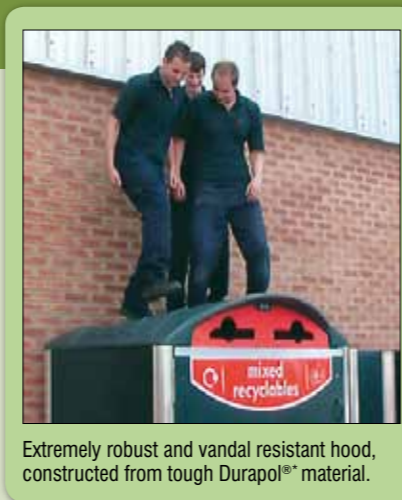
The Modus is a high capacity recycling bin housing, which securely contains a wheeled bin in a tidy manner. Modus creates a focal recycling point, ideal for areas such as housing developments, bring sites, parks and also for commercial use. Modus transforms any old/unsightly recycling containers into an attractive recycling centre.



Hood peak provides extra weather protection to the apertures.



Recycling apertures and clear Recycle Now graphics help to encourage recycling.



Extremely robust and vandal resistant hood, constructed from tough Durapol® material.



Vandalex® frame provides exceptional strength and is vandal and weather resistant.



Choice of Modus 770 which can house a 600 litre, 660 litre or 770 litre wheeled bin or Modus 1280 which can house a 1100 litre or 1280 litre wheeled bin.



Nylon handle and robust Tri-Lock.



Personalisation available, see back page for details.

Extremely robust Ecoboard™ panelling is constructed from 100% recycled material.

Optional Extras

- Food Waste Aperture and Chute.
- Blanking Aperture – for secure storage of equipment.
- Aperture Brushes (round aperture only – glass recycling).
- Wing Lock.
- Glasdon FireSafe™ Automatic Suppression Device.
- Personalisation.



Base skirting provides a guard around the base of the housing, to minimise the risk of pests entering the housing and also conceal the door wheel.



The door features a stainless steel hinge.



An adjustable door wheel enables easy opening of the door and levels the door on uneven surfaces.



*Vandalex® material is an aluminium alloy engineered to produce a high modulus of elasticity, which offers increased impact absorption properties. Its hard anodised finish will not rust, is easy to clean and never needs painting.
 *Durapol® material is a polymer formulated to withstand extremes of temperature and is impact-tested in our Quality Assurance Laboratory as part of our BS EN ISO 9001:2008 test procedure. Durapol material will not chip or rust, is easy to clean and never needs painting.

* Please see back page for siting recommendations.

NEW Visage™ Screen System

The Visage Screen System is ideal for commercial use, housing developments, bring sites, parks and open spaces, to conceal recycling containers in areas where large capacity is high priority.

The modular construction of the Visage Screen System allows units to be built up to form two sided, three sided and four sided (complete with door) screens.

The Visage Screen System creates a secure, aesthetically pleasing recycling centre and large polycarbonate graphics can be added to encourage recycling.

Choice of two sided, three sided and four sided screens.



Design Features

- Units can screen 600 litre, 660 litre, 770 litre, 1100 litre or 1280 litre wheeled bins.
- Low panels provide easy access to open the lid of the wheeled bin behind the screen.
- Vandalex® frame provides exceptional strength and is vandal and weather resistant.
- Extremely robust Ecoboard™ panelling is constructed from 100% recycled material.
- An adjustable door wheel enables easy opening of the door and levels the door on uneven surfaces (four sided screen only).
- The door features a Tri-Lock, nylon handle and stainless steel hinge (four sided screen only).



The modular design of Visage allows it to be installed in varying configurations



Personalisation available, see back page for details.

Optional Extras

- Polycarbonate Recycle Now Graphics Kit.
- Base skirting.
- Wing Lock (four sided screen only).
- Joining Vandalex Extrusion (for alternative screen layouts).
- Personalisation.

* Please see back page for siting recommendations.